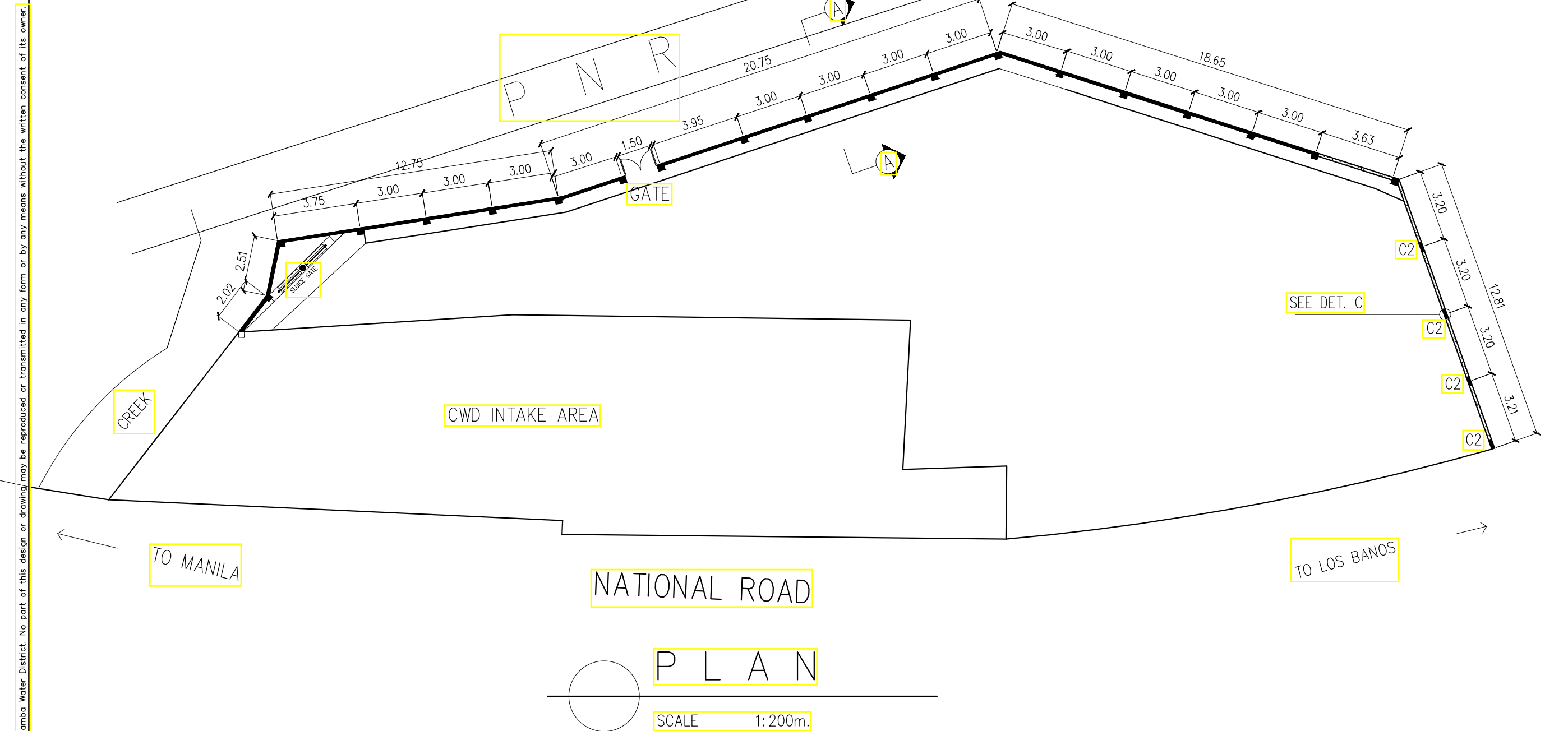



NOTES:
 1. ALL SIZES AND LOCATIONS ARE SUBJECT TO CHANGE TO SUIT FIELD CONDITIONS.
 2. THE DESIGNER SHALL NOT BE LIABLE FOR ANY ALTERATION/ REVISION ON THE PLANS/ DRAWINGS AND SPECIFICATIONS IMPROVED BY THE AUTHORIZED SUPERVISING ENGINEER DONE WITHOUT THEIR KNOWLEDGE THAT MAY IMPAIR THE STRENGTH OF THE PROJECT.

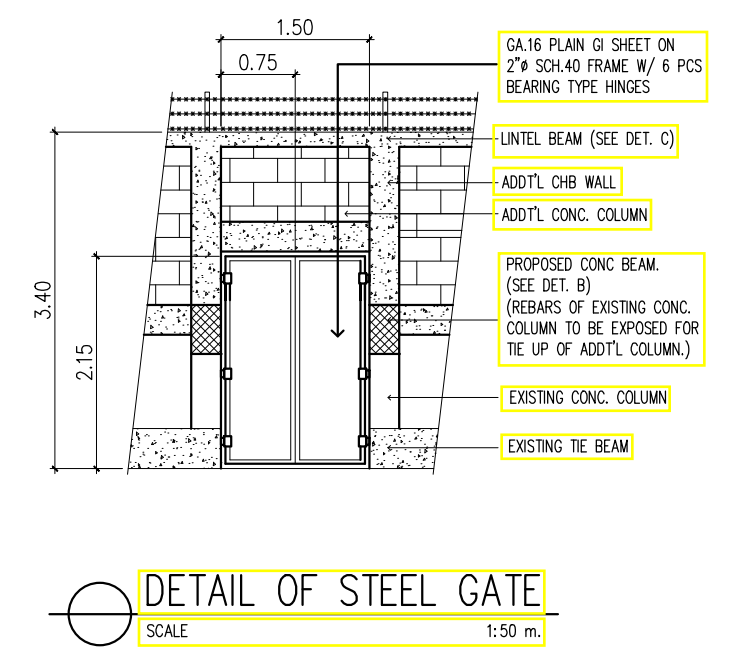
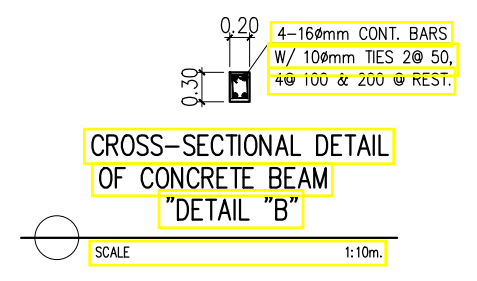
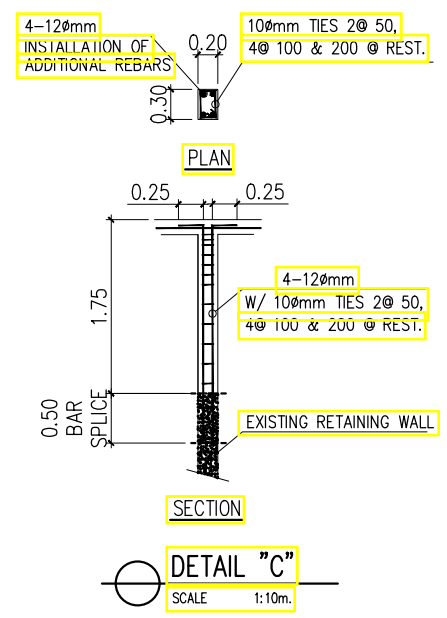
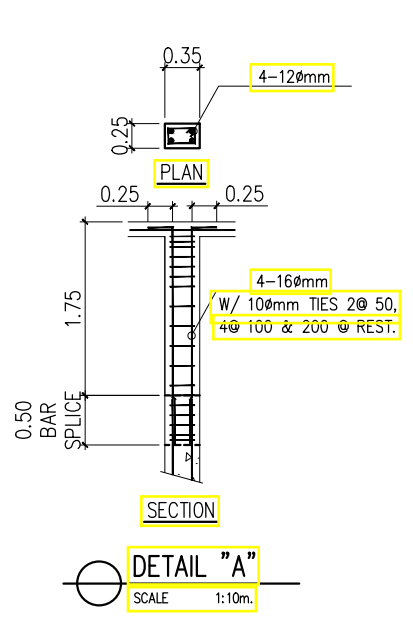
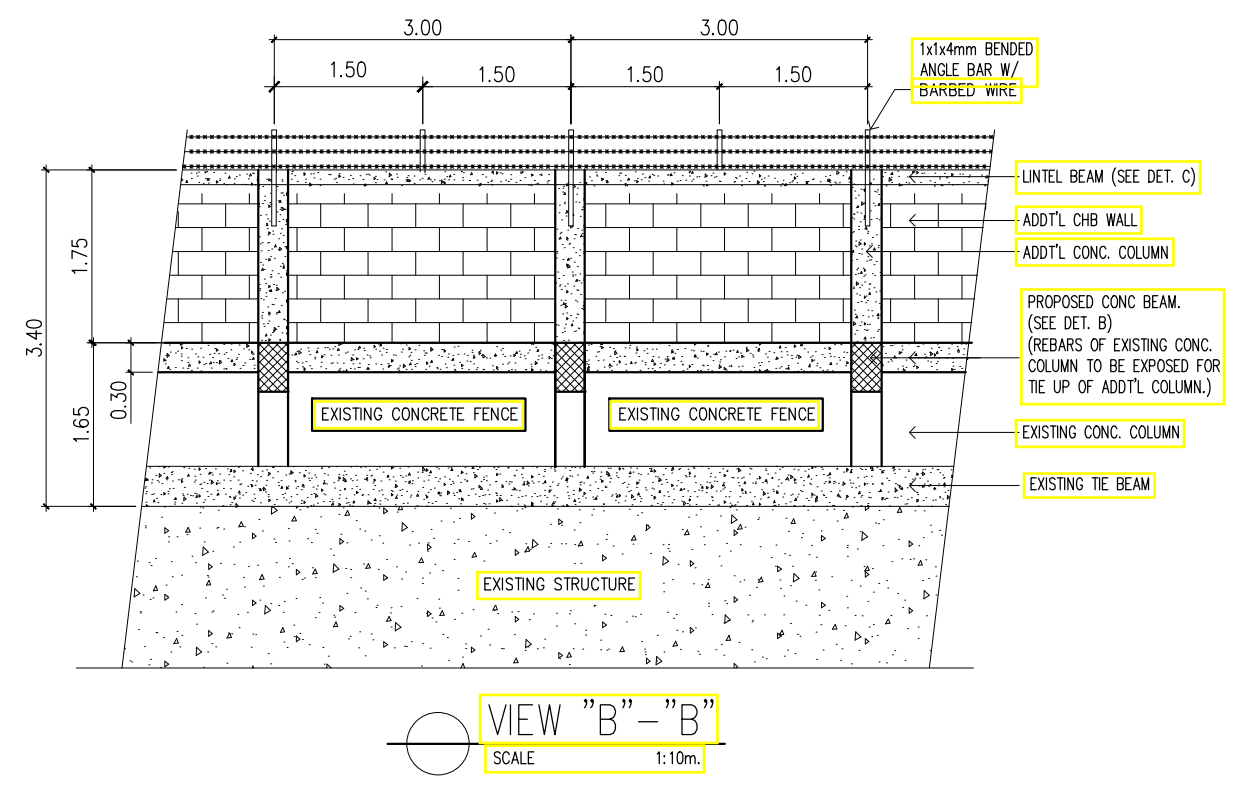
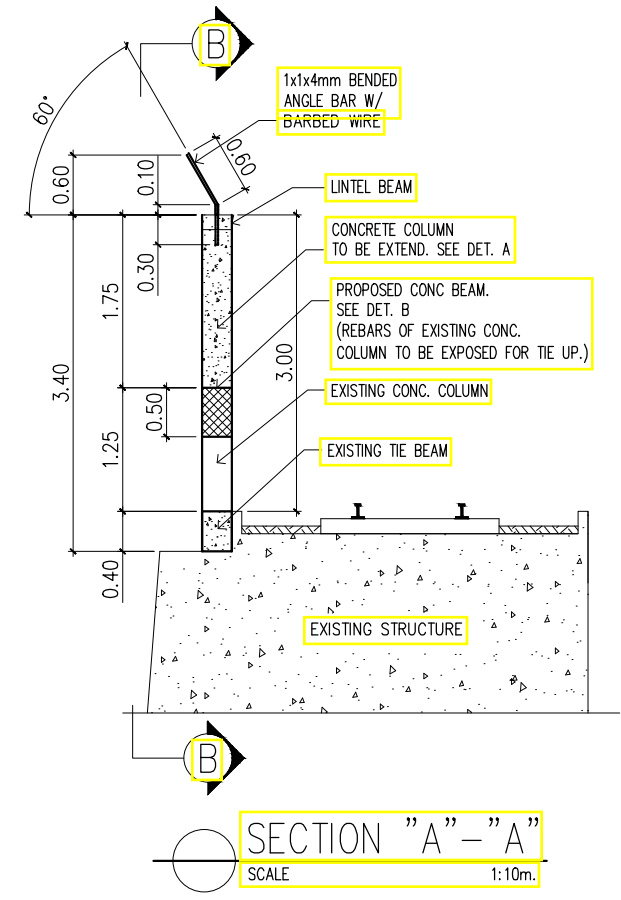



This design or drawing is the sole property of Calamba Water District. No part of this design or drawing may be reproduced or transmitted in any form or by any means without the written consent of its owner.

 CALAMBA WATER DISTRICT ENGINEERING DEPARTMENT PLANNING AND DESIGN DIVISION LAKEVIEW SUBD., HALANG, CALAMBA CITY	PROJECT TITLE: PROPOSED REHABILITATION OF CONCRETE FENCE	DRAWN BY: A. L. DEL PRADO DESIGNED BY: A. L. DEL PRADO RECOMMENDED BY: ENGR. J. GILLERA APPROVED BY: MR. E. A. AGUILAR JR.	SHEET CONTENTS:	DATE: 8/25/2021 SHEET NO.: A-1
	LOCATION: Bucal, Calamba City, Laguna			

This design or drawing is the sole property of Calamba Water District. No part of this design or drawing may be reproduced or transmitted in any form or by any means without the written consent of its owner.

NOTES:
 1. ALL SIZES AND LOCATIONS ARE SUBJECT TO CHANGE TO SUIT FIELD CONDITIONS.
 2. THE DESIGNER SHALL NOT BE LIABLE FOR ANY ALTERATION/ REVISION ON THE PLANS/ DRAWINGS AND SPECIFICATIONS IMPROVED BY THE AUTHORIZED SUPERVISING ENGINEER DONE WITHOUT THEIR KNOWLEDGE THAT MAY IMPAIR THE STRENGTH OF THE PROJECT.



 CALAMBA WATER DISTRICT ENGINEERING DEPARTMENT PLANNING AND DESIGN DIVISION LAKEVIEW SUBD., HALANG, CALAMBA CITY	PROJECT TITLE:	DRAWN BY: A. L. DEL PRADO	SHEET CONTENTS:	DATE: 8/25/2021
	PROPOSED REHABILITATION OF CONCRETE FENCE	DESIGNED BY: A. L. DEL PRADO	RECOMMENDED BY: ENGR. J. GILLERA	SHEET NO.:
LOCATION:	Bucal, Calamba City, Laguna	APPROVED BY: MR. E. A. AGUILAR JR.		